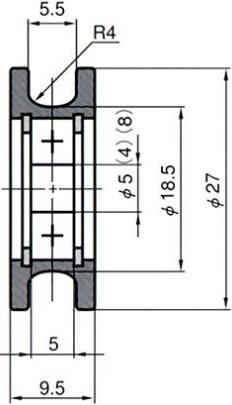


Bearing Roller Guide <Flat Yarn Pass>

ELDON
SPECIALTIES, INC.

PO Box 567 * 821 E. Parker St. Ext.
Graham, NC 27253 * USA
(336) 229-6622 * Fax (336) 229-7180
sales@eldonspecialties.com
www.eldonspecialties.com

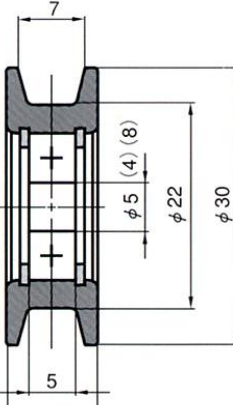
1. For *Flat Yarn and Flat Wire*.
2. For *Heavy Denier*



A906045
YM85C
ID=Ø5.0
625ZZ

13g

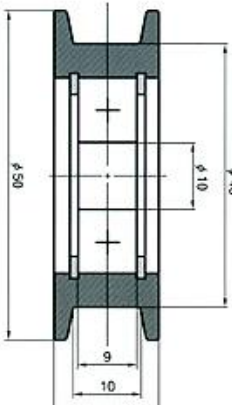
Technical drawing shows a cross-section of a red bearing roller with a central bore. Dimensions include a top width of 5.5, a radius of R4, a bore diameter of Ø5, a distance of 18.5 from the bore to the bottom edge, an outer diameter of Ø27, a bottom width of 5, and a total width of 9.5. A photo of the roller is shown to the right.



A906035
YM85C
ID=Ø5.0
625ZZ

17g

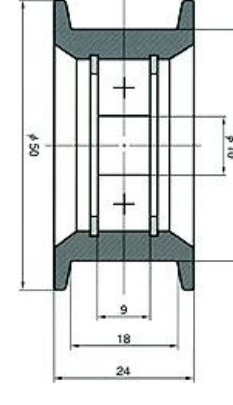
Technical drawing shows a cross-section of a red bearing roller with a central bore. Dimensions include a top width of 7, a bore diameter of Ø5, a distance of 22 from the bore to the bottom edge, an outer diameter of Ø30, a bottom width of 5, and a total width of 10. A photo of the roller is shown to the right.



N903049
YM85C
ID=Ø 10
6200ZZ

76g


Technical drawing shows a cross-section of a red bearing roller with a central bore. Dimensions include an outer diameter of Ø50, a bore diameter of Ø10, a distance of 40 from the bore to the bottom edge, a bottom width of 9, a total width of 10, and a total width of 16. A photo of the roller is shown to the right.



N903052
YM85C
ID=Ø10
6200ZZ

88g

Technical drawing shows a cross-section of a red bearing roller with a central bore. Dimensions include an outer diameter of Ø50, a bore diameter of Ø10, a distance of 40 from the bore to the bottom edge, a bottom width of 9, a total width of 18, and a total width of 24. A photo of the roller is shown to the right.



A402009
YM85C
ID=Ø 5.0
F605ZZS

24g

Technical drawing shows a top-down view of a red bearing roller with a central bore. Dimensions include a total width of 24, a bore diameter of Ø5, an inner diameter of Ø20, and an outer diameter of Ø30. A photo of the roller is shown to the left.

Please feel free to contact us for more information and quotations.

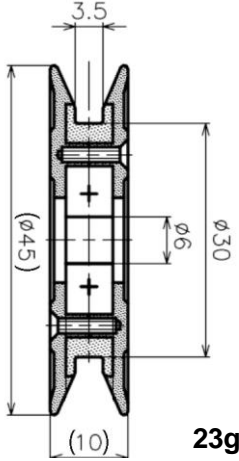
The contents are subject to change without prior notice future improvement.

Bearing Roller Guide <Flat Yarn Pass>

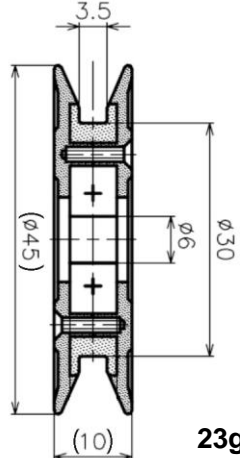
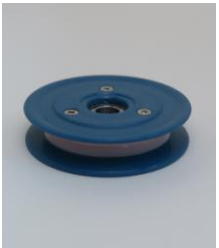
ELDON
SPECIALTIES, INC.

PO Box 567 * 821 E. Parker St. Ext.
Graham, NC 27253 * USA
(336) 229-6622 * Fax (336) 229-7180
sales@eldonspecialties.com
www.eldonspecialties.com

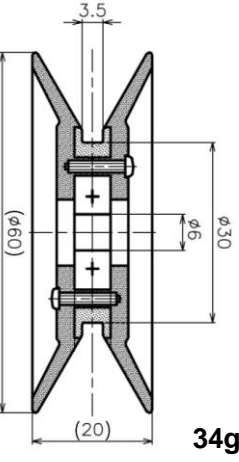

1. For *Flat Yarn and Flat Wire.*
2. For *Heavy Denier*



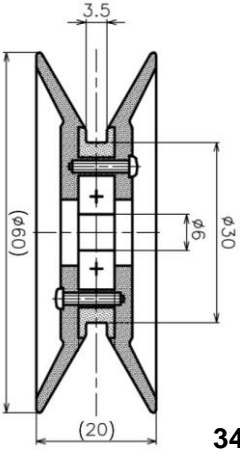
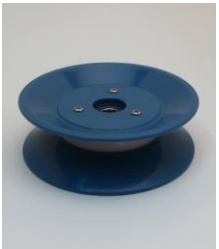
A502080-F
YM99C-DPA/PA
ID=Ø6.0
626ZZ
23g




K502080Z-F
YM99C-DPA/PA
ID=Ø6.0
626ZZ
23g



A312030-F
YM99C-DPA/PA
ID=Ø6.0
626ZZ
34g



K312030Z-F
YM99C-DPA/PA
ID=Ø6.0
626ZZ
34g



Please feel free to contact us for more information and quotations.