

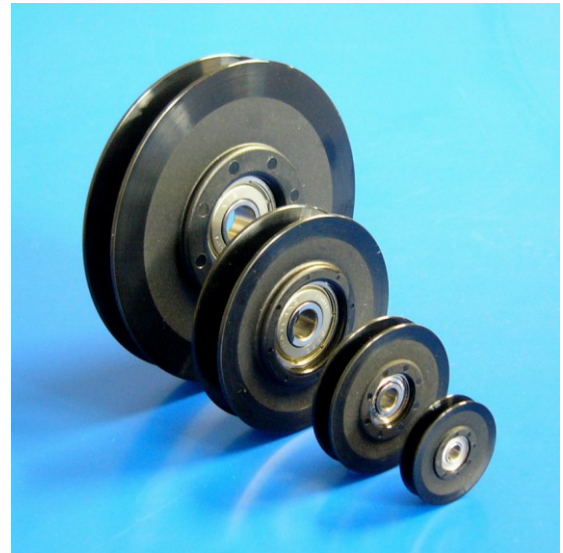
BEARING ROLLER GUIDE <Plastic Solid Type>

ELDON
SPECIALTIES, INC.

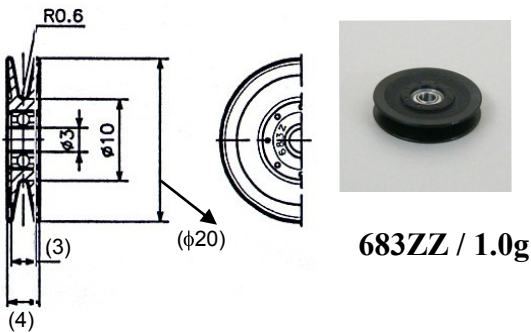
PO Box 567 * 821 E. Parker St. Ext.
Graham, NC 27253 * USA
(336) 229-6622 * Fax (336) 229-7180
sales@eldonspecialties.com
www.eldonspecialties.com

Features

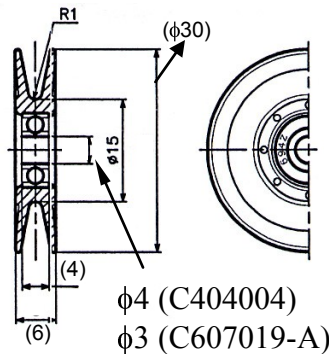
1. Economic price with the integrated body in Plastic material.
2. Recommended for enamel coated wire, Carbon and Glass fiber etc.
3. Low torque with reliable bearing(NMB) and light weight material.
4. Bearing is replaceable with Handpress facility.
5. Plastic material PA is resistant to the chemical corrosion.



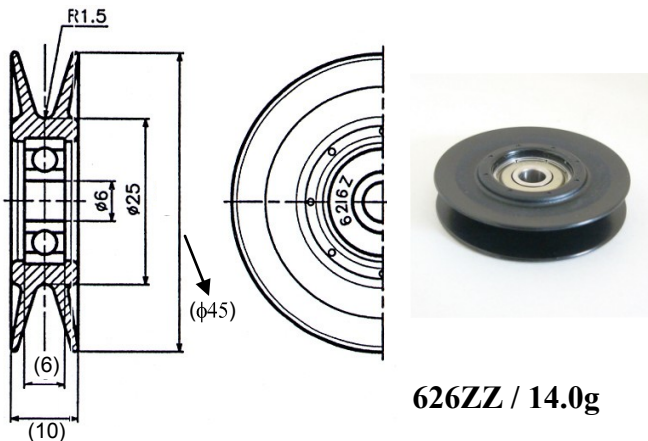
C404003 ID= ϕ 3.0



C404004 ID= ϕ 4.0 / C607019-A ID= ϕ 3.0

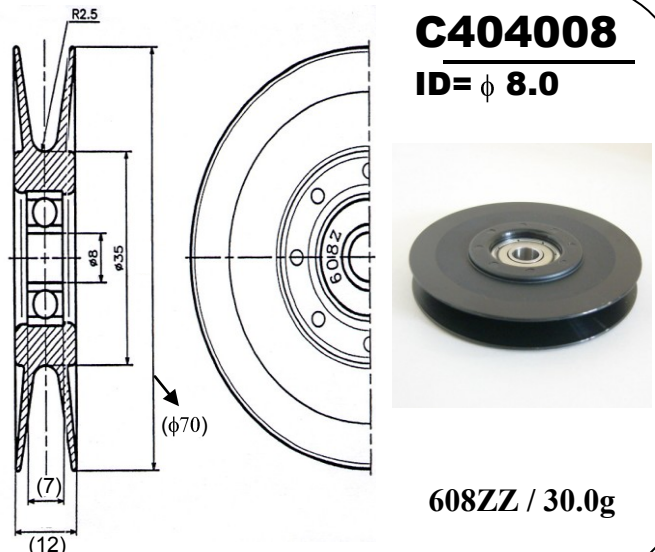


C404006 ID= ϕ 6.0



C404008

ID= ϕ 8.0



*The dimensions in () are nominal values.