


Bearing Roller Guide <V-Grooved Type> -BLUE-

ELDON
SPECIALTIES, INC.

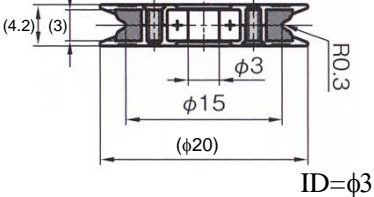
PO Box 567 * 821 E. Parker St. Ext.
Graham, NC 27253 * USA
(336) 229-6622 * Fax (336) 229-7180
sales@eldonspecialties.com
www.eldonspecialties.com

**“V-Groove” provides precise positioning and is suitable for Traverse purpose.
Very smooth yarn path with Diamond polished Alumina ceramic provides the better quality.**

N912018-V
YM99C-DPA/PBT




2.4g
683ZZ

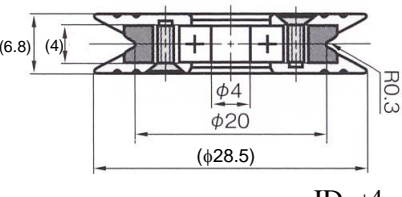


Dimensions: (4.2) (3), $\phi 3$, $\phi 15$, ($\phi 20$), R0.3, ID= $\phi 3$

N912019-V
YM99C-DPA/PA




6.5g
694ZZ

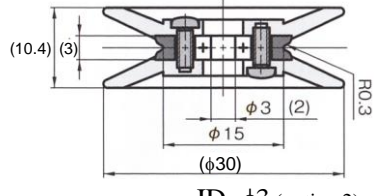


Dimensions: (6.8) (4), $\phi 4$, $\phi 20$, ($\phi 28.5$), R0.3, ID= $\phi 4$

A208004-V
YM99C-DPA/PA




5.6g
683ZZ

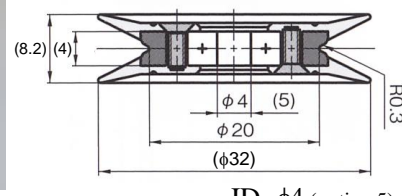


Dimensions: (10.4) (3), $\phi 3$ (2), $\phi 15$, ($\phi 30$), R0.3, ID= $\phi 3$ (option 2)

B605050-V
YM99C-DPA/PA




7g
694ZZ

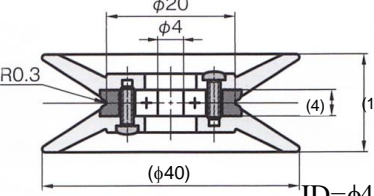


Dimensions: (8.2) (4), $\phi 4$ (5), $\phi 20$, ($\phi 32$), R0.3, ID= $\phi 4$ (option 5)

A208005-V
YM99C-DPA/PA



12g
694ZZ

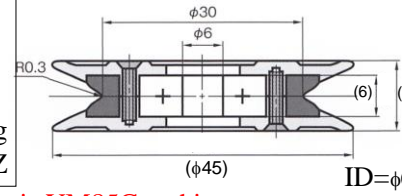


Dimensions: $\phi 20$, $\phi 4$, R0.3, (4), 15.4, ($\phi 40$), ID= $\phi 4$

A502080-V
YM85C-DPA/PA

NO IMAGE


24g
626ZZ



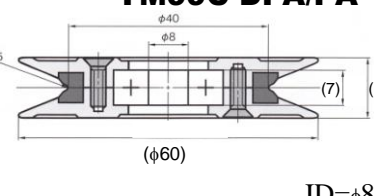
Dimensions: $\phi 30$, $\phi 6$, R0.3, (6), 10.5, ($\phi 45$), ID= $\phi 6$

* The ceramic is YM85C at this moment.

A504025-V
YM99C-DPA/PA



41g
608ZZ

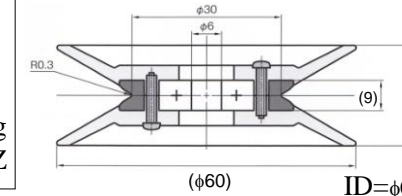


Dimensions: $\phi 40$, $\phi 8$, 0.5, (7), 12.5, ($\phi 60$), ID= $\phi 8$

A312030-V
YM85C-DPA/PA

NO IMAGE

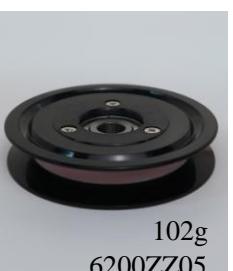
35g
626ZZ



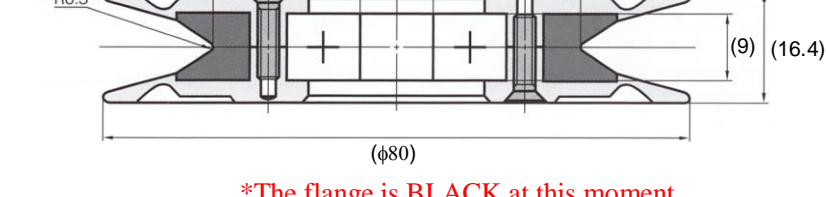
Dimensions: $\phi 30$, $\phi 6$, R0.3, (9), 20, ($\phi 60$), ID= $\phi 6$

* The ceramic is YM85C at this moment.

A701050-V
YM99C-DPA/PA



102g
6200ZZ05



Dimensions: $\phi 50$, $\phi 10$, R0.5, (9), 16.4, ($\phi 80$), ID= $\phi 10$

*The flange is BLACK at this moment.

*The dimensions in () are nominal values.