

FLAT SPRING TENSOR

ELDON
SPECIALTIES, INC.

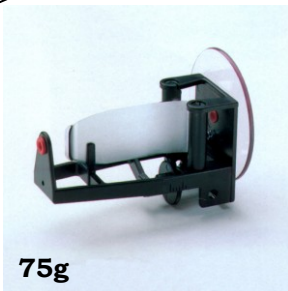
PO Box 567 * 821 E. Parker St. Ext.
Graham, NC 27253 * USA
(336) 229-6622 * Fax (336) 229-7180
sales@eldonspecialties.com
www.eldonspecialties.com

APPLICATION

Suitable for Jet Looms, Rapier Looms and in the Wire Industry

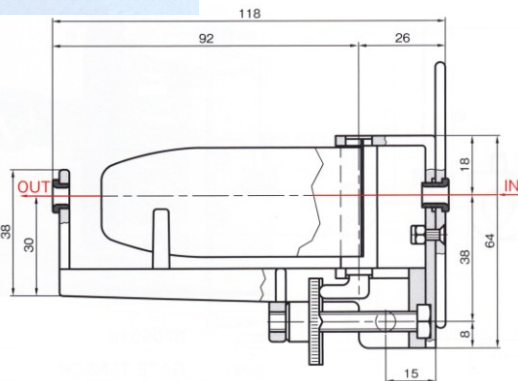
ADVANTAGES

- * *Excellent Hard Chrome plated Flat Springs provide Less damage.*
- * *A straight yarn pass is recommended for Glass and Carbon fibre.*
- * *Reduces over-running after machine shutdown.*
- * *The wide, smooth surface minimises fluff build-up.*
- * *Suitable for the highly twisted yarn, fancy yarn and tape yarn.*
- * *The flat spring is easy to replace and Easy to clean.*

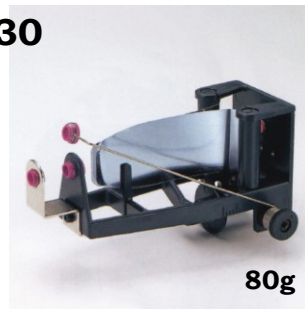


75g

**C108035
(Y670-I)**

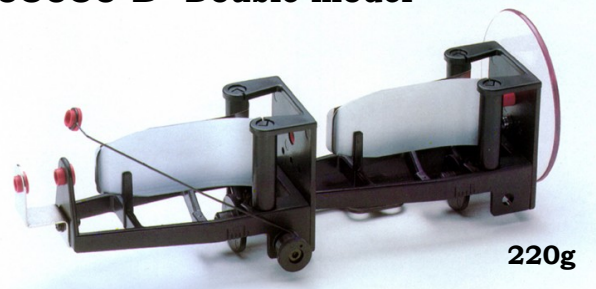


C805030



80g

A503030-D -Double model-



220g

Integrated body models - Reduces yarn jumping-

B709007 (Y-691)

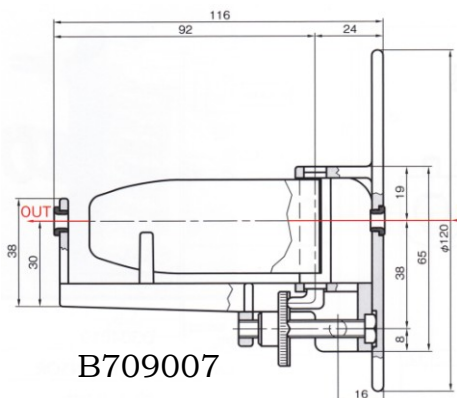


105g

**C108040
(Y-691-A)**



124g



B709007

Option

**B711023
Holder**



Please don't hesitate to contact us for the further application.