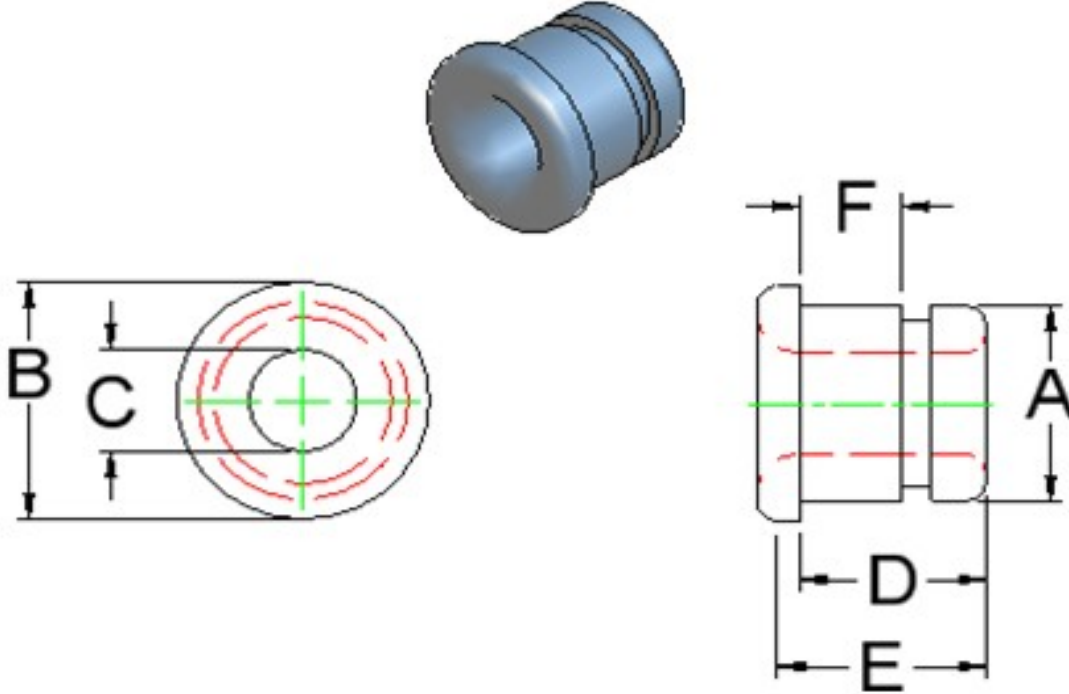


CERAMIC DIMENSIONS SHEET

**ELDON**  
SPECIALTIES, INC.

PO Box 567 \* 821 E. Parker St.  
Graham, NC 27253 \*  
(336) 229-6622 \* Fax (336) 229-7  
sales@eldonspecialties.  
www.eldonspecialties.



Grooved Ceramic Eyelets (Flange on one side, recessed ring for retaining clip on the shaft)

**PLEASE NOTE:** Measurements may vary slightly due to ceramic shrinkage during the firing process.

PART #	A - SHANK OD		B - FLANGE OD		C - ID		D- SHANK L		E - OAL	
	IN	MM	IN	MM	IN	MM	IN	MM	IN	MM
B-043-TC	0.178	4.5	0.227	5.8	0.081	2.1	0.145	3.7	0.228	5.8
B-067-AR	0.296	7.5	0.355	9.0	0.140	3.6	0.202	5.1	0.281	7.1
B-054-T	0.304	7.7	0.431	10.9	0.125	3.2	0.474	12.0	0.584	14.8
B-011-TC	0.311	7.9	0.374	9.5	0.138	3.5	0.268	6.8	0.319	8.1
B-081-TC	0.314	8.0	0.393	10.0	0.158	4.0	0.194	4.9	0.251	6.4
B-052-T	0.368	9.3	0.438	11.1	0.203	5.2	0.171	4.3	0.234	5.9
B-061-TC	0.370	9.4	0.465	11.8	0.240	6.1	0.276	7.0	0.362	9.2
B-051-AW	0.374	9.5	0.500	12.7	0.187	4.8	0.298	7.6	0.359	9.1
B-023-AW	0.382	9.7	0.532	13.5	0.250	6.4	0.437	11.1	0.625	15.9
B-092-TC	0.394	10.0	0.520	13.2	0.256	6.5	0.228	5.8	0.314	8.0
B-072-TC	0.465	11.8	0.607	15.4	0.303	7.7	0.284	7.2	0.402	10.2
B-088-TC	0.476	12.1	0.646	16.4	0.244	6.2	0.429	10.9	0.575	14.6
B-076-TC/2	0.492	12.5	0.614	15.6	0.185	4.7	0.315	8.0	0.425	10.8
B-084-TC	0.583	14.8	0.811	20.6	0.386	9.8	0.248	6.3	0.374	9.5
B-070-TC	1.220	31.0	1.378	35.0	1.000	25.4	0.433	11.0	0.630	16.0



# CERAMIC DIMENSIONS SHEET

. Ext.  
USA  
7180  
.com  
.com

F- LIP/ GROOVE	
IN	MM
0.074	1.9
0.087	2.2
0.349	8.9
0.150	3.8
0.070	1.8
0.063	1.6
0.134	3.4
0.205	5.2
0.312	7.9
0.102	2.6
0.118	3.0
0.254	6.5
0.122	3.1
0.110	2.8
0.140	3.6

