

Multi Roller/ Multi Hook Guide

ELDON
SPECIALTIES, INC.

PO Box 567 * 821 E. Parker St. Ext.
Graham, NC 27253 * USA
(336) 229-6622 * Fax (336) 229-7180
sales@eldonspecialties.com
www.eldonspecialties.com

Application

Weaving Machine and Warper etc.

Features

* Exchangeable to Grooved Roller.

* Various pitches are available.

(Multi Roller P=3, 4, 5, 6mm, Multi Hook P= 2, 3, 5)

* Number of Grooves is adjustable for your application.

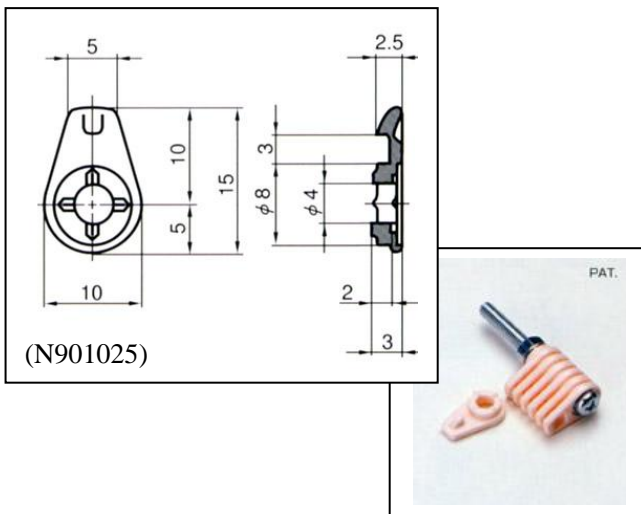
* Able to combine the different pitch in one assembly.

*N901025 and N809023 only for Hook type.

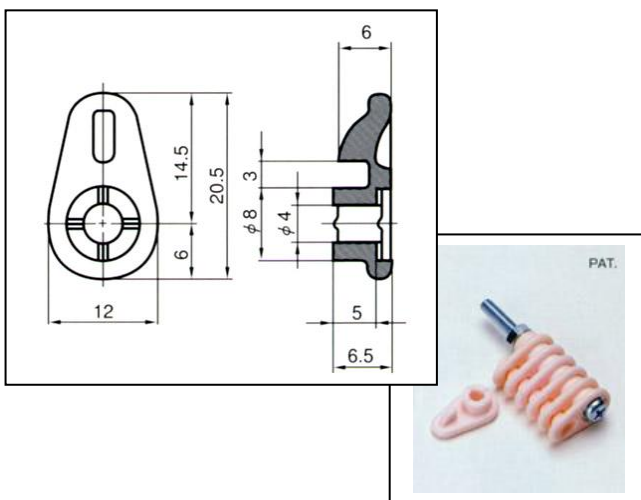
* Cost saving by replacing the necessary position only, when damaged.

Multi Hook Guide YM99C

N901025 (P=2), N809023 (P=3)



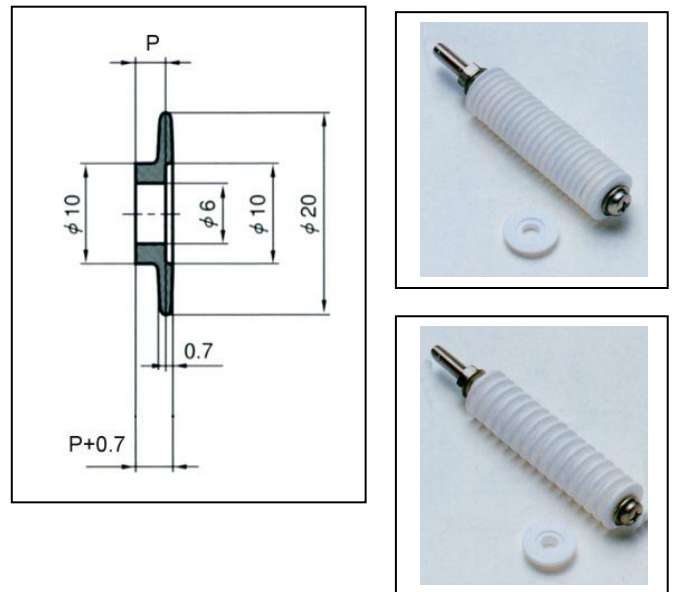
A304007 (P=5)



Multi Roller Guide YM92CW

B901003 (P=3), B901004 (P=4)

B901005 (P=5), B901006 (P=6)



**All of photo shows the assembling samples.
Each item is Ceramic only.

Please feel free to contact us for more details and quotations.