

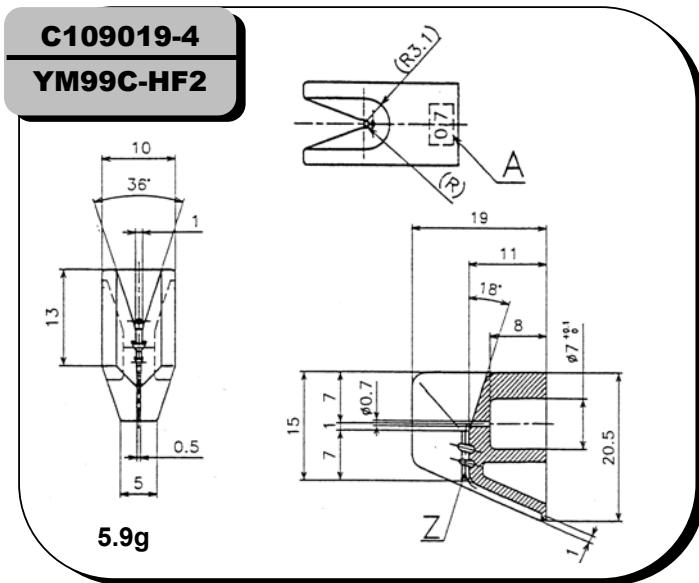


P.O.Box 567/821 E.PARKER STREET EXT.
GRAHAM, NC 27253 USA
Tel(336)229-6622 Fax(336)229-7180
E-Mail: sales@eldonspecialties.com
Website: www.eldonspecialties.com

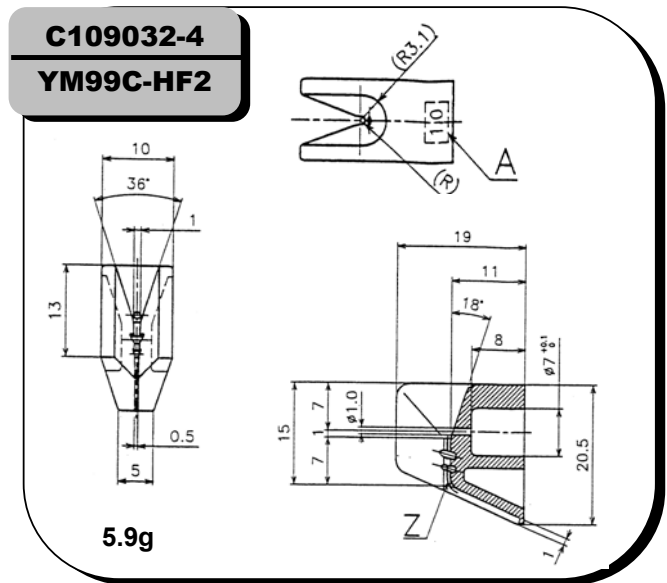
NEW OILING GUIDES FOR FINE DENIER YARN AND HIGH SPEED APPLICATION

- ◆ Suitable for the fine denier and small filament yarn
- ◆ Minimum Yarn Contact Area - Recommendable for delicate yarn
- ◆ Especially recommendable for High Speed application

Sometimes oiling go small filament yarn is more difficult than high counted yarn. Recommended for Nylon Yarn and special Polyester with small numbers of filaments.



- *ORIFICE SIZE:0.7mm
- *Suitable for less than 50d yarn



- *ORIFICE SIZE:1.0mm
- *Suitable for up to 150d yarn

Best Surface Finish for Oiling guides

HF2 is made up with several processes and the quality is controlled by careful inspection in each step. It's very important to supply stable quality for safe oiling since the yarn will get a damage so easily in this position. HF2 helps well to make even oiling and less oil consumption with uniformed round peaks since it has a function of oil pools.