

WASHER TENSOR

ELDON
SPECIALTIES, INC.

PO Box 567 * 821 E. Parker St. Ext.
Graham, NC 27253 * USA
(336) 229-6622 * Fax (336) 229-7180
sales@eldonspecialties.com
www.eldonspecialties.com

For Loom, Warping Machine and Winder etc.

- * Recommend for the continual usage.
- * Excellent Hard Chrome Plated washer, Fine surface with Thick plating, provides you the better yarn quality.
- * Various Washers - Nylon Bush type for Less stain and Surface Grinded type for Fine denier in Various sizes & weights- are available.

How to adjust the tension; Simply change the post angle and the washer weight.

For Loom & Warping Machine

A005050-R / A005050-L

(Former Y-601)

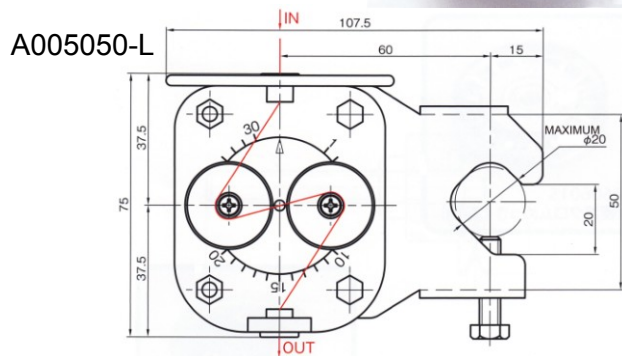


A005050-L
140g

B209025
(Former Y-689)



110g



A401015-R/A401015-L

(Former Y-603)



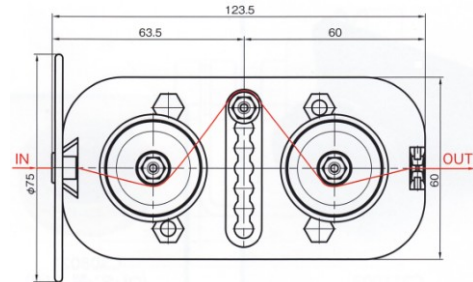
A401015-L
200g

A006010
(Former Y-603)



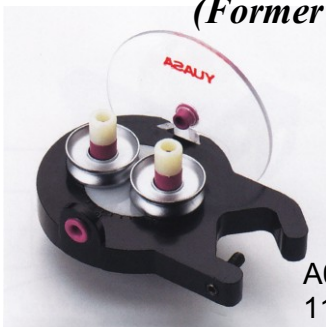
170g

*** For Glass Fiber & Carbon Fiber**



A005055-R / A005055-L

(Former Y-612)

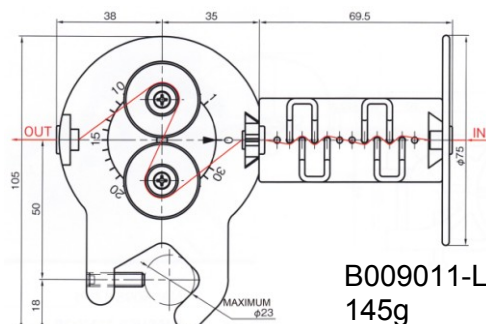


A005055-L
115g

- Metal Body -

B009011-R / B009011-L

A005055-R/L with Anti-Snarl Tensor (N205036)



B009011-L
145g

*R and L indicate the Holder positions. Able to select from Right / Left.

Please contact us for more details.

WASHER TENSOR

ELDON
SPECIALTIES, INC.

PO Box 567 * 821 E. Parker St. Ext.
Graham, NC 27253 * USA
(336) 229-6622 * Fax (336) 229-7180
sales@eldonspecialties.com
www.eldonspecialties.com

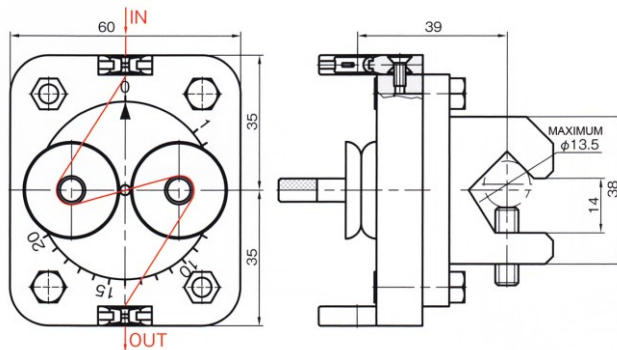
For Loom, Warping Machine and Winder etc.

- * Recommend for the continual usage.
- * Excellent Hard Chrome Plated washer, Fine surface with Thick plating, provides you the better yarn quality.
- * Various Washers - Nylon Bush type for Less stain and Surface Grinded type for Fine denier in Various sizes & weights– are available.

How to adjust the tension; Simply change the post angle and the washer weight.

For Winder

A006066 (Former Y-602)

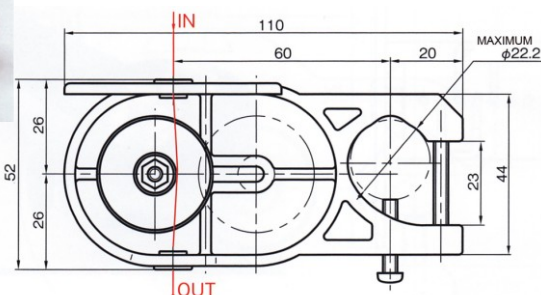


N806081-L
(Former Y-615-L)

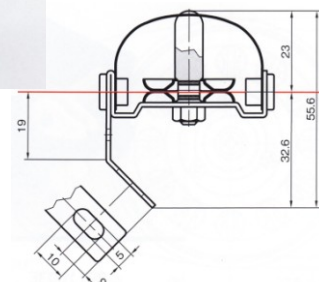


*** For Circular Knitting Machine**

N805095-R / N809095-L
(Former Y-630)



A009016 (Former Y-635)



*R and L indicate the Holder positions. Able to select from Right / Left.

Please contact us for more details.