

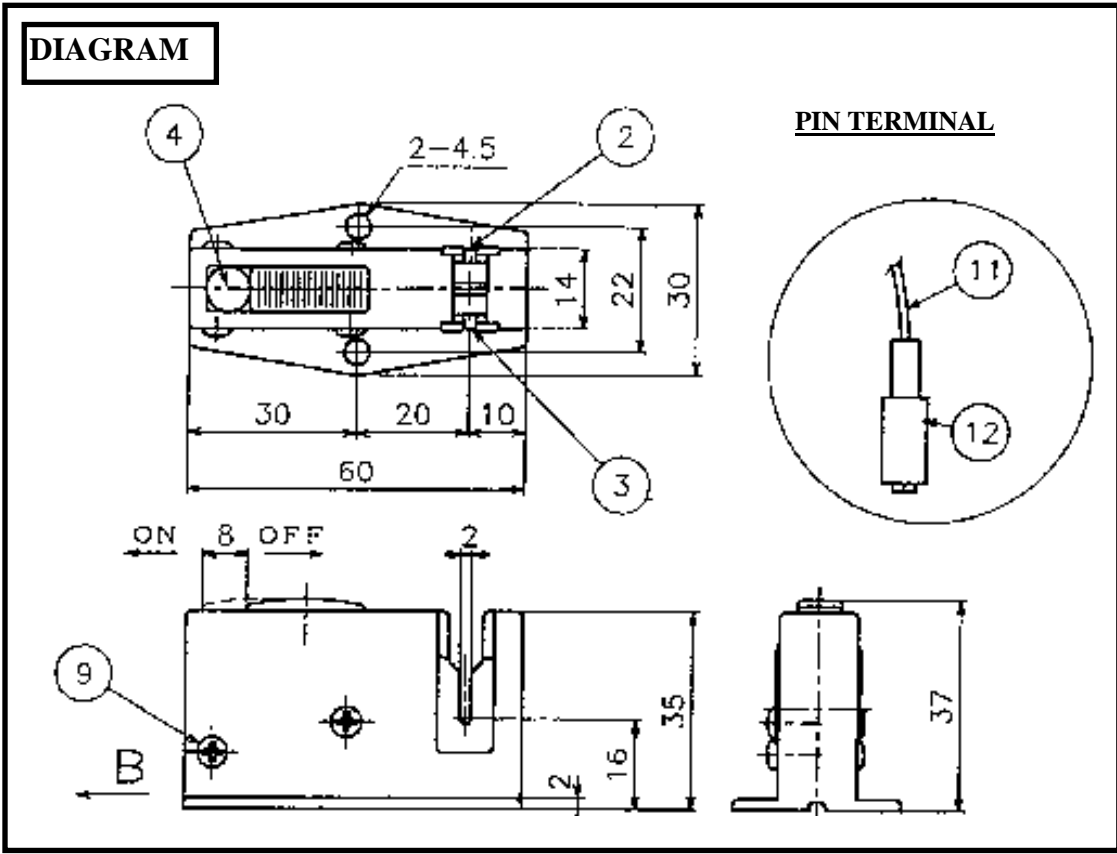
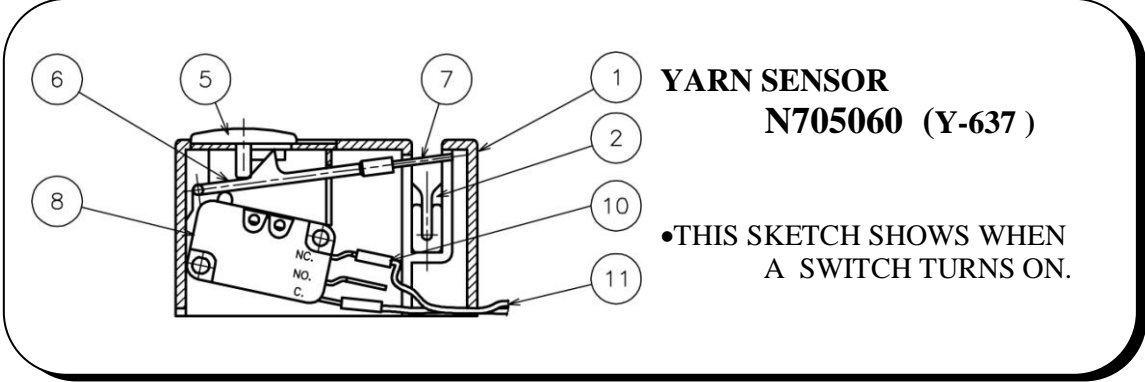
Yarn Sensors

<N705060>

**Heavy
Duty**

ELDON
SPECIALTIES, INC.

PO Box 567 * 821 E. Parker St. Ext.
Graham, NC 27253 * USA
(336) 229-6622 * Fax (336) 229-7180
sales@eldonspecialties.com
www.eldonspecialties.com



- <NAMES FOR PARTS OF N705060>
- <1> BOX
 - <2> GUIDE A
 - <3> GUIDE B
 - <4> MARKER
 - <5> KNOB
 - <6> SENSING ARM
 - <7> SENSING PIN
 - <8> MICRO SWITCH
 - <9> SCREW
 - <10> MARK TUBE
 - <11> WIRE
 - <12> PIN TERMINAL

◆ **SELECTION OF GUIDE <4> AND <5>**

B007020
Hook Guide YM99C

N705067
Slit Guide YM99C

N808029
Double Hook Guide
YM99C

N808055
Hook Guide M99C

