

# Twist Stop Wheel <Ceramic>

**ELDON**  
SPECIALTIES, INC.

PO Box 567 \* 821 E. Parker St. Ext.  
Graham, NC 27253 \* USA  
(336) 229-6622 \* Fax (336) 229-7180  
sales@eldonspecialties.com  
www.eldonspecialties.com

## Applications;

For Draw Texturizing Machines

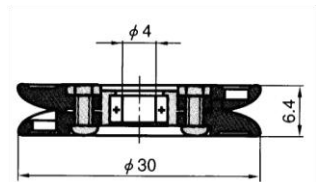
- 1, Protect Twist back into creels
- 2, Minimize the feed roller wear
- 3, Smooth yarn feeding

## Features;

- 1, Excellent Yarn Quality and Less Snow - YM99C material and Very Smooth Surface.
- 2, Long life
- 3, Light Weight
- 4, Small starting torque

**C805015**

**YM99C-DP**



7.8g

Suitable for **FINE DENIR** and **NYLON**.

## Assembly for Barmag DTY Machine

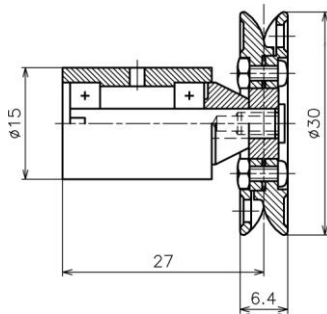
## With Protector



D805080

**D805080**

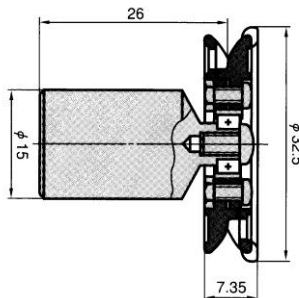
Double Bearing type



Bearing Lubrication  
Twist Stop Wheel; Nil  
Holder; Oil

**A507041**

Single Bearing type



Bearing Lubrication  
Twist Stop Wheel; Grease  
Holder; Nil

**C805020**



OD32.5dia  
9.0g

For **MURATA**,  
**SCRAGG**,  
**ISHIKAWA**

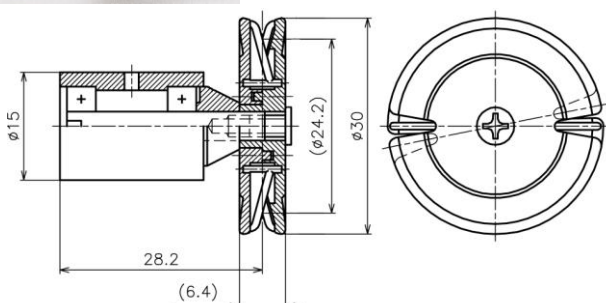
## YM999-1 type D806030



**D806030**

Double Bearing type

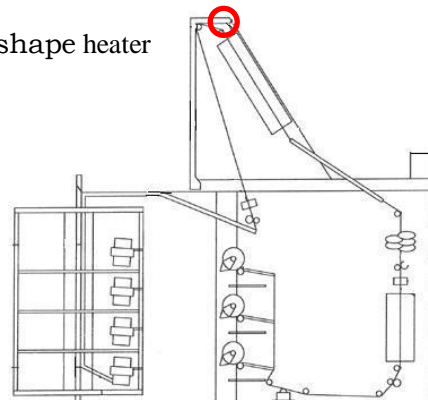
Bearing Lubrication  
Twist Stop Wheel; Nil  
Holder: Oil



## Attachment position

**\*\*Just BEFORE the heater.**

Ex.) V shape heater



The contents are subject to change without prior notice for future improvement..